

# ASFIR<sup>TM</sup> 4x4

OFF ROAD MASTERS

Suzuki

QUALITY  
SKID PLATES  
ALUMINUM



# Grand Vitara Model 06-12 Eng. 2,0/2,4 Liter Petrol/diesel Auto'



Front skid plate



Gear / Transfer / Fuel pipes skid plate



Exhaust skid plate (petrol)



Detachable square tow bar



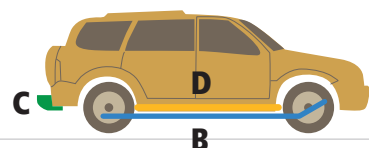
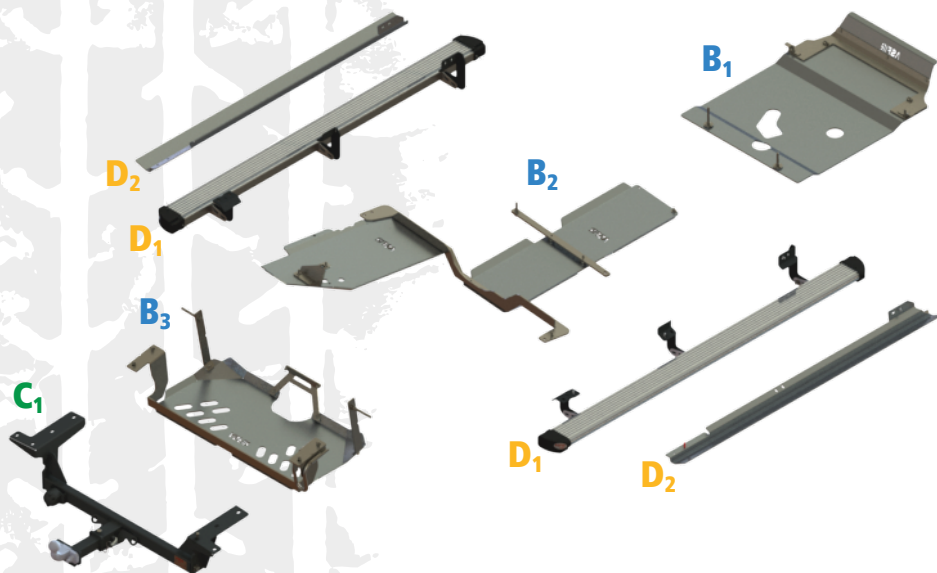
Towing Device, without spare wheel carrier (petrol)



Side steps (aluminum)



Side covers (aluminum)





# Jimny Petrol



**A** P/N 517001 07-11

ATL winch bumper



**B<sub>1</sub>** P/N 517066 97-11

Front axle iron skid plate  
(Cannot be mounted with B2)



**B<sub>2</sub>** P/N 517056 06-11

Steering rod & Differential protector  
(Cannot be mounted with B1)



**B<sub>3</sub>** P/N 517068 97-11

Transfer skid plate



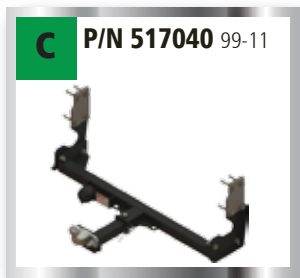
**B<sub>4</sub>** P/N 517070 99-11

Fuel tank skid plate



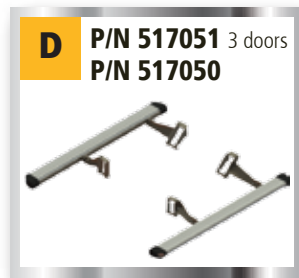
**B<sub>5</sub>** P/N 517067 97-11

Rear axle iron skid plate



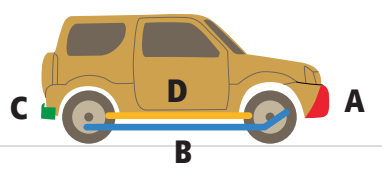
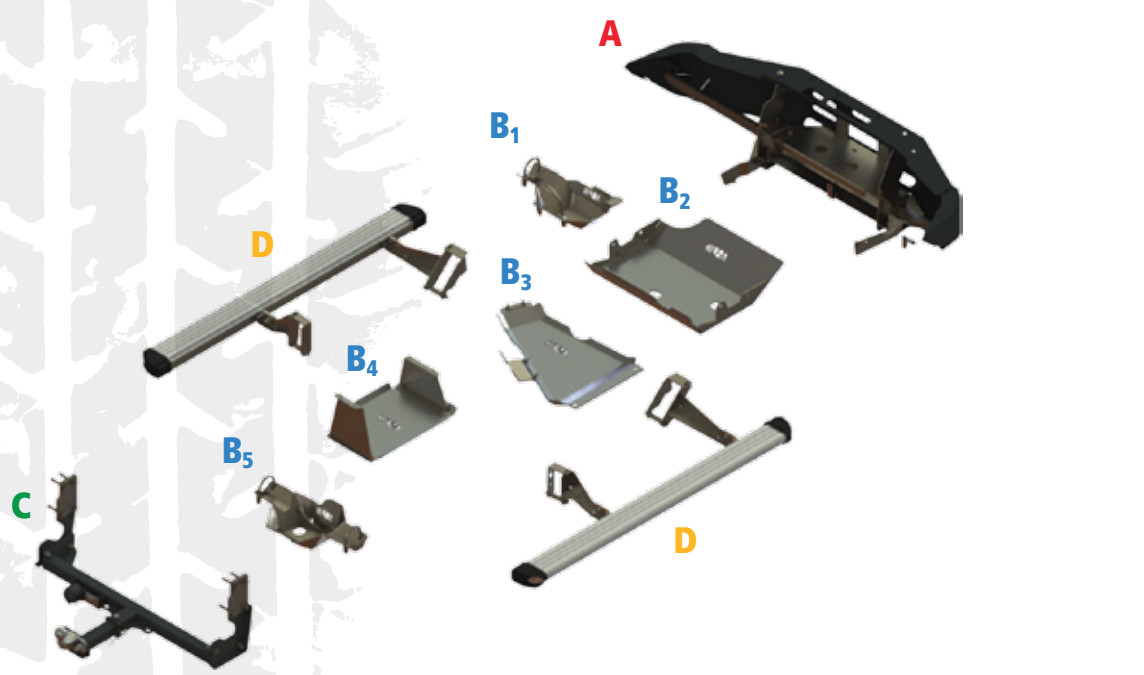
**C** P/N 517040 99-11

Detachable tow bar



**D** P/N 517051 3 doors  
P/N 517050

Side steps / protectors 04-10



## Professional Quality Products

Asfir's variety of products is the perfect solution for accessorizing the off-road vehicle.

### ATL Winch Bumper

The innovative ATL winch bumper is designed and developed to replace the original bumper for concealed winch mounting. The bumper covers the winch but is not attached to it. It has many openings to ventilate the vehicle and enables easy access to the winch for maintenance. ATL bumpers are characterized in low weight and in keeping close proximity to the vehicle's original contour lines.

### Skid Plates

Quality skid plates for off road vehicles have one of the highest design, performance and finish standards in the world. Asfir offers a wide variety of skid plates such as front, fuel tank, transfer box, air condition, rear bumper and rear bench. The skid plates are made of quality aluminum and are screwed to original holes in the vehicle. Service openings in the skid plates enable servicing the vehicle without dismantling the plates.

### Side Protectors

Protect the lower side of the vehicle and aid recovery with a jack. Designed by Asfir's Research & Development team and manufactured using the most up-to-date technology. The side protectors are made of quality metal combined with aluminum side steps.

### Rear Towing Device

A quality towing device mounted to the vehicle's chassis under the original bumper.

## Grand Vitara Eng. 1,6 Liter Petrol Auto'



Front skid plate



Transfer / Gear skid plate



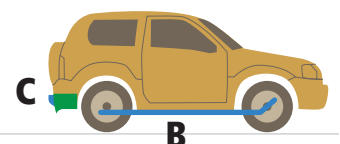
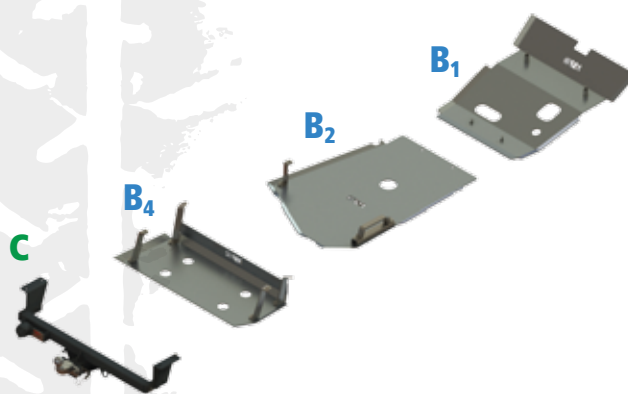
Transfer skid plate (diesel)  
lwb 98-03 / swb 98-01



Fuel tank skid plate



Detachable square tow bar



Distributed by :

**ASFIR**  
**4x4**

**ASFIR LTD**  
Tel Adashim 19315, Israel  
Telephone: +972-4-6511400  
1-599-599-499\*

Fax: +972-4-6527742  
E mail: info@asfir.com  
www.asfir.com

\* (Israel only)



3.2012

QUALITY 4x4 ACCESSORIES