

# ASFIR™

## SsangYong 4x4



## SsangYong

### Professional quality products

Asfir's variety of products is the perfect solution for accessorizing the off road vehicle.

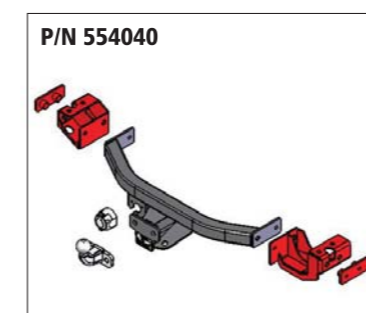
### Skid plates

Quality skid plates for off road vehicles with one of the highest design, performance and finish standards in the world. Asfir's offers various skid plates protecting the underbody parts of the vehicle such as front, transfer, gear and fuel tank. The skid plates are made of quality aluminum or metal and are screwed to original holes in the vehicle. Service openings in the skid plates enable servicing the vehicle without dismantling the plates.

### Rear tow bumper and towing device

A quality towing device mounted to the vehicle's chassis under the original bumper.

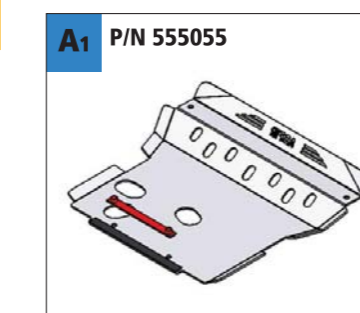
## Rodius



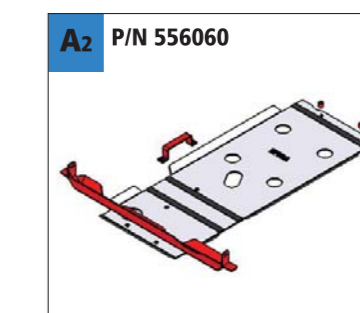
Towing device



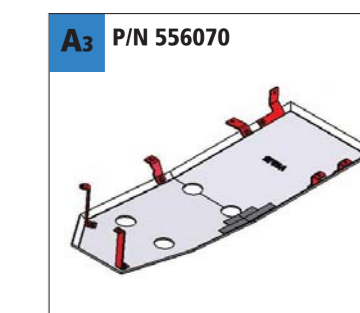
## Actyon Sports



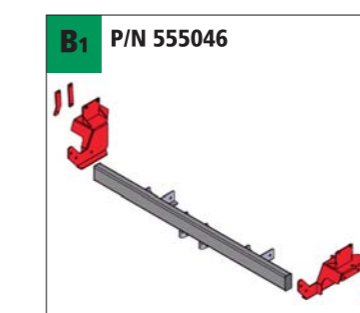
Front skid plate



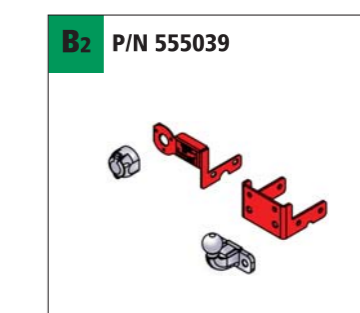
Gear - Transfer skid plate



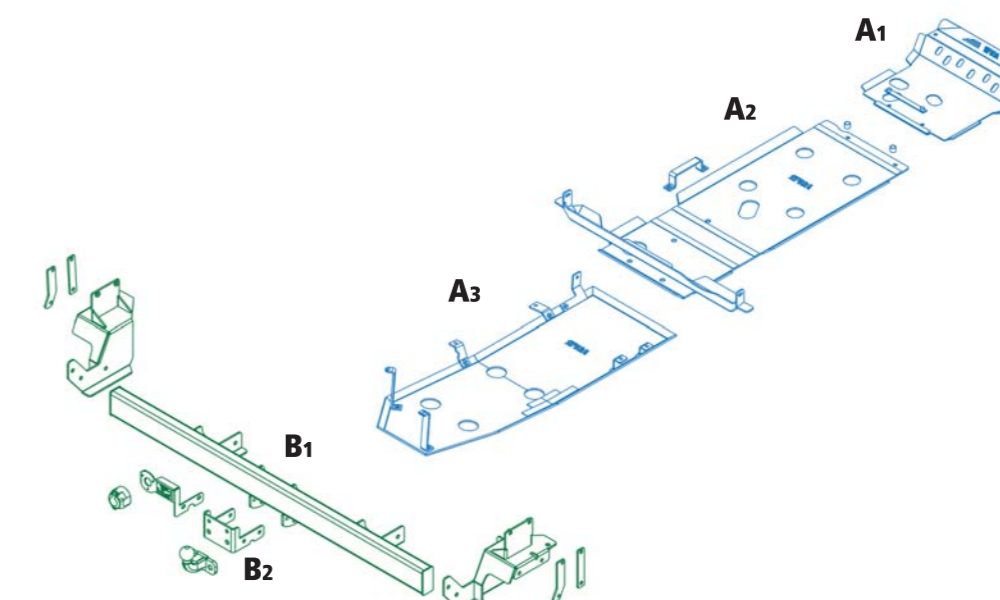
Fuel tank skid plate



Tow bumper HD



Towing device



2.2008

**ASFIR™**  
4x4  
QUALITY 4x4 ACCESSORIES

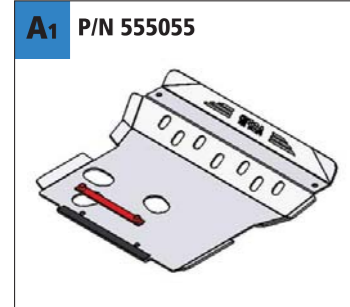
**ASFIR LTD**  
Tel Adashim 19315, Israel  
Telephone: 972-4-6511400  
Fax: 972-4-6527742  
E mail: info@asfir.co.il  
http://www.asfir.com

**ASFIR INC. Headquarters**  
7827 E. Nestling Way  
Scottsdale AZ 85255, USA  
Tel: 1-877-4XASFIR (877-492-7347)  
Fax: 480-502-3672

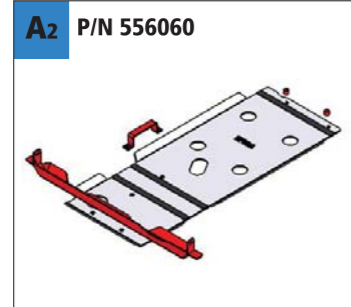
**Sales Office & Warehouse**  
16B Mashamoquet Rd. (Rt 101)  
Pomfret Center CT 06259, USA  
Tel: 1-877-4XASFIR / 860-963-0230  
Fax: 860-963-2567



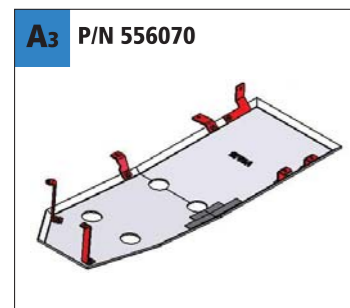
# Actyon



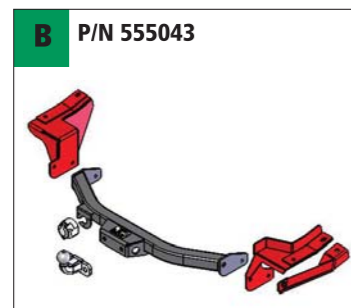
A1 P/N 555055  
Front skid plate



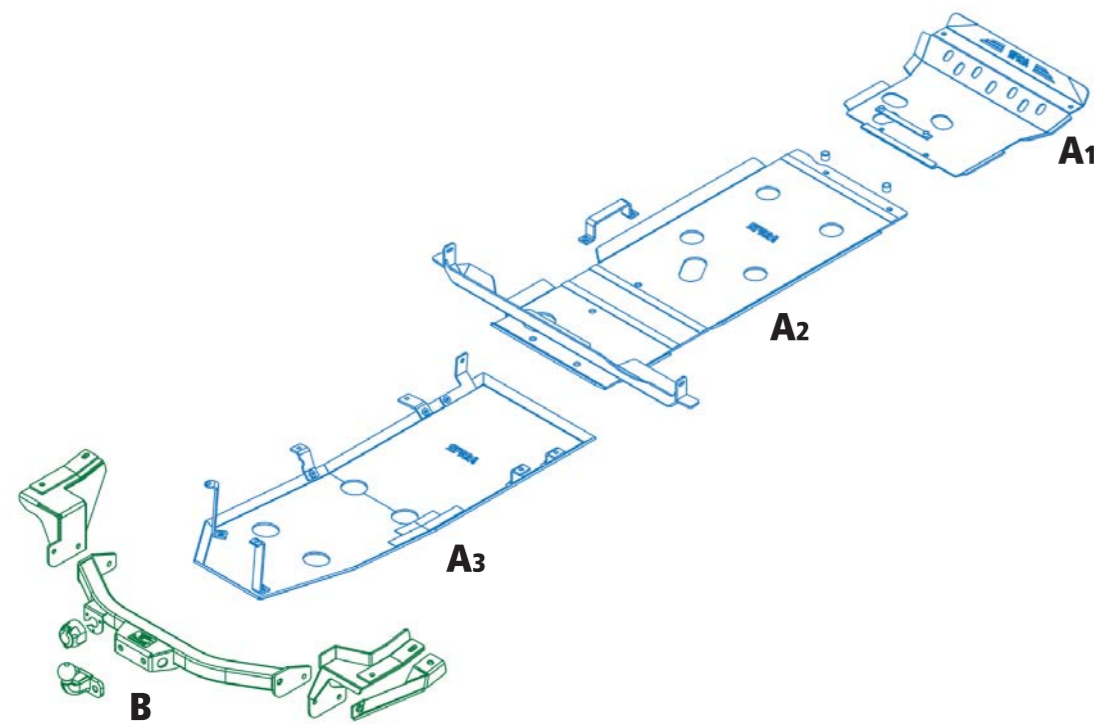
A2 P/N 556060  
Gear - Transfer skid plate



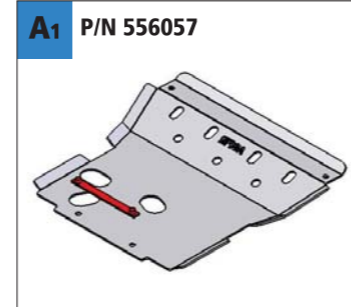
A3 P/N 556070  
Fuel tank skid plate



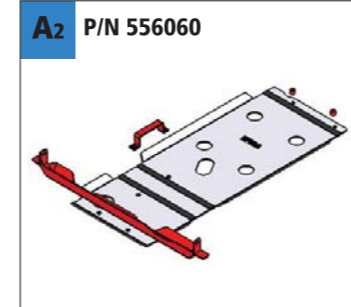
B P/N 555043  
Towing device



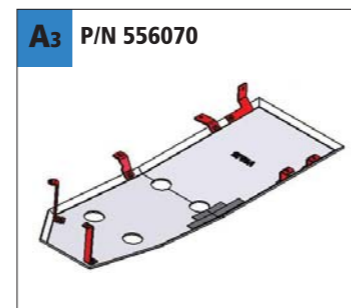
# Kyron



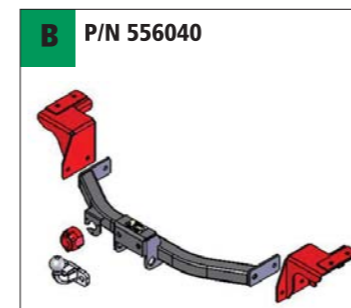
A1 P/N 556057  
Front skid plate



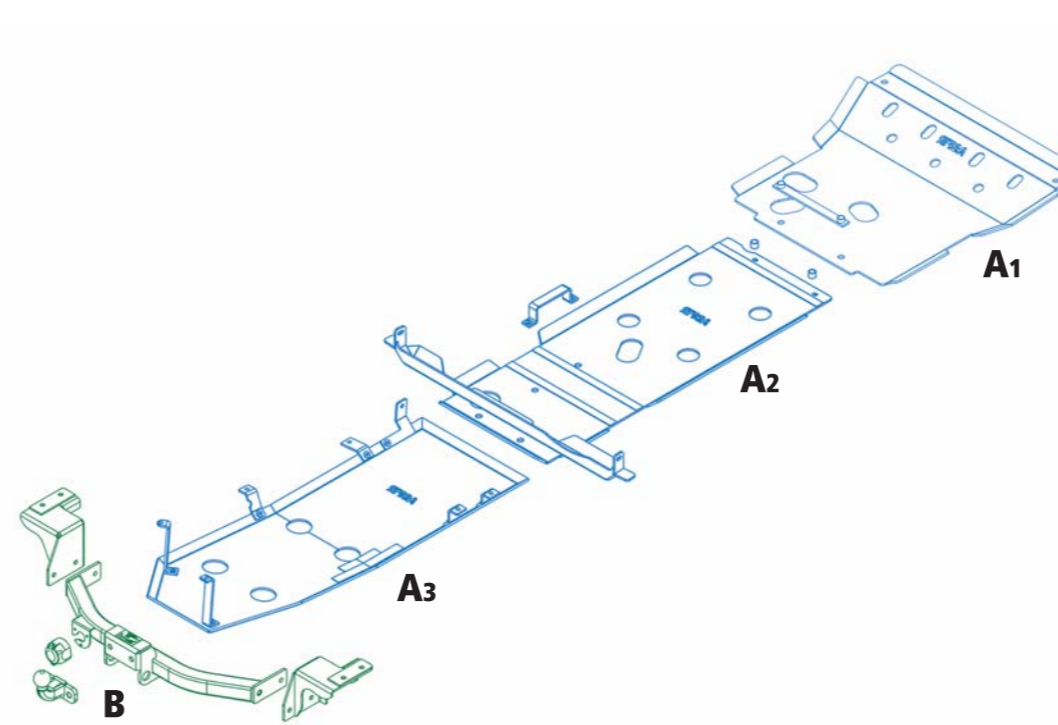
A2 P/N 556060  
Gear - Transfer skid plate



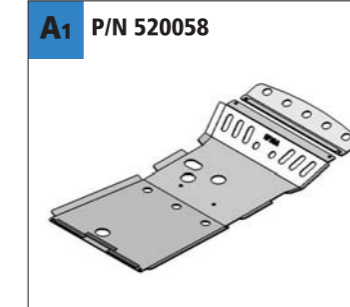
A3 P/N 556070  
Fuel tank skid plate



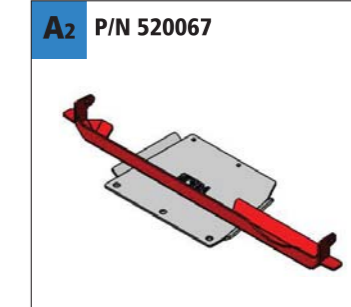
B P/N 556040  
Towing device



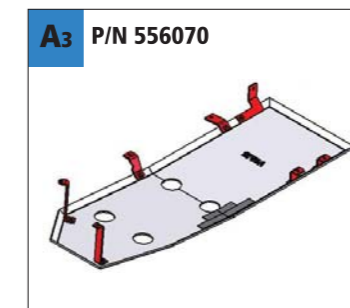
# Rexton



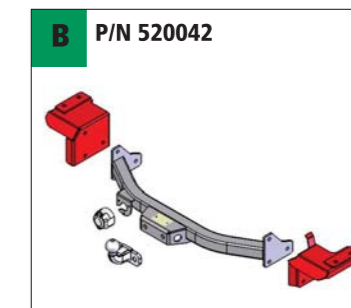
A1 P/N 520058  
Front - Gear skid plate



A2 P/N 520067  
Transfer skid plate



A3 P/N 556070  
Fuel tank skid plate



B P/N 520042  
Towing device

