

# Defender

## Professional quality products

Asfir's variety of products are the perfect solution for accessorizing the off road vehicle.

### ATL winch bumper

The innovative ATL winch bumper is designed and developed to replace the original bumper. This bumper is designed for heavy duty work. ATL bumpers are characterized in low weight and in keeping close proximity to the vehicle's original contour lines. Optional additions: Front bar, aluminum cover.

### Skid plates

Quality skid plates for off road vehicles with one of the highest design, performance and finish standards in the world. Asfir offers various skid plates that provide an overall protection to the vehicle's underbody parts such as fuel tank, front axle, steering rod, rear axle and gear. The skid plates are made of quality aluminum and are screwed to original holes in the vehicle. Service openings in the skid plates enable servicing the vehicle without dismantling the plates.

### Side protectors

Protect the lower side of the vehicle and aid recovery with a jack. Designed by Asfir's research and development team and manufactured using the most up-to-date technology. The side protectors are made of quality metal.

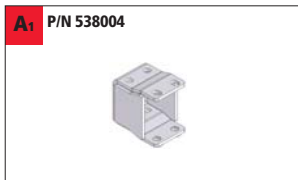
### 4x4 accessories

Asfir has a wide variety of accessories such as suspension seats, roll bars, front "A" bumpers, recovery kits, compressors, Hi Lift jacks, recovery straps, shackles, pulley blocks, ratchets and portable winch cradle.



**A** P/N 538001 (TDI/TD5)  
P/N 538115 (optional front bar)

ATL winch bumper incl. front bar



**A1** P/N 538004

ATL adapter for Defender with original AC



**B1** P/N 538076

Steering rod protector  
(suitable for LH steering only)



**B2** P/N 538078

Front axle guard  
(Can not be mounted with \*B2)



\***B2** P/N 538113 w/welded brackets  
P/N 539114 w/ring brackets

Front differential protector  
(cannot be mounted with B2)



**B3a** P/N 538070 (110 TDI-300)  
P/N 538072 (110 TD5)

Fuel tank skid plate



**B3b** P/N 538071 (90 TDI-300)  
P/N 538073 (90 TD5)

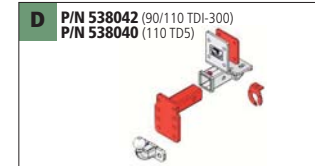
Fuel tank skid plate

# Defender



**C** P/N 538122 (110)  
P/N 538126 (90)

Square side protectors



**D** P/N 538042 (90/110 TDI-300)  
P/N 538040 (110 TD5)

Detachable towing device

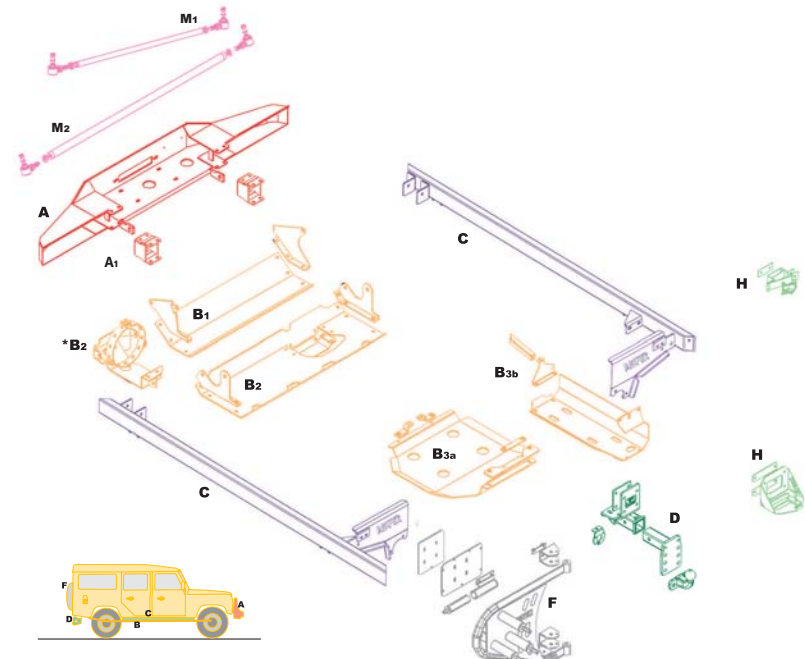


Spare wheel carrier  
(Can not be mounted on vehicles with central electrical locking system)

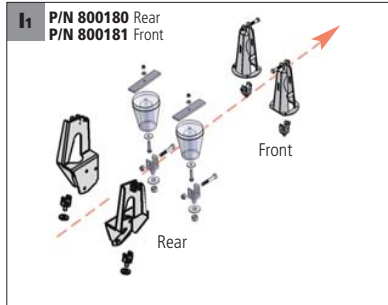


**H** P/N 538118

Hi-Lift Jack carrier



# Defender



Bilstein 7100 shock absorber bracket kit



Bilstein 7100 shock absorber rear bracket kit



Aluminium front wing cover Aluminium hood cover



Aluminium cover above rear wheels

<b>ACCESSORIES</b>	<b>M1</b>	P/N 538079	Steering rod
	<b>M2</b>	P/N 538103	HD steering tie rod

# ASFIR™

## Land Rover 4x4 Defender

