

# ASFIR™

## 4x4

OFF ROAD MASTERS



# Toyota

## Vigo



## Professional Quality Products

Asfir's variety of products is the perfect solution for accessorizing the off-road vehicle.

### ATL Winch Bumper

The innovative ATL winch bumper is designed and developed to replace the original bumper. The bumper covers the winch, but is not attached to it. It has many openings to ventilate the vehicle and enables easy access to the winch for maintenance.

ATL bumpers are characterized in low weight and in keeping close proximity to the vehicle's original contour lines.

### Skid Plates

Quality skid plates for off road vehicles with one of the highest design, performance and finish standards in the world. Asfir offers various skid plates protecting the underbody parts of the vehicle such as front, transmission (gear), transfer and fuel tank. The skid plates are made of quality aluminum and are screwed to original holes in the vehicle.

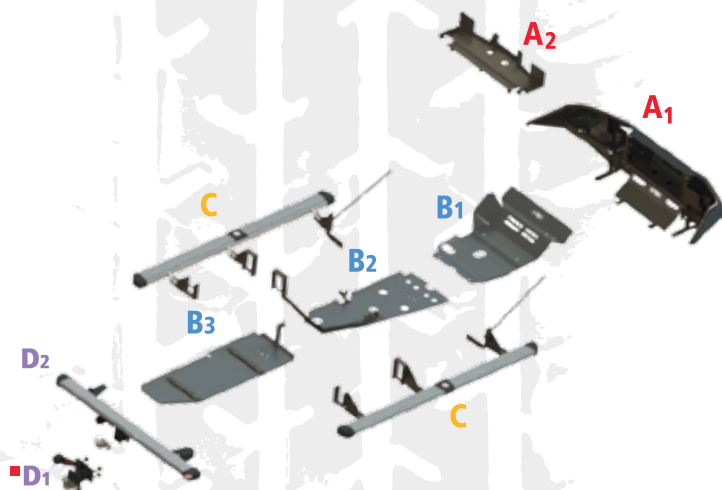
Service openings in the skid plates enable servicing the vehicle without dismantling the plates.

### Side protectors

Protect the lower sides of the vehicle and aid recovery with a jack. The side protectors are made of quality metal combined with aluminum side steps.

### Rear Towing Device

Asfir's towing device mounts to the vehicle's chassis, under the original bumper.



## MODEL 2006+ DIESEL

**A<sub>1</sub>** ■ P/N 533006 2012  
■ P/N 533005 06-11  
■ P/N 533004 06-11



ATL Winch Bumper

■ For vehicles with original plastic fenders only

**A<sub>2</sub>** ■ P/N 533024 11-12



Hidden winch mount

**B<sub>1</sub>** ■ P/N 533058



Front skid plate

**B<sub>2</sub>** ■ P/N 533066 auto 2012  
■ P/N 533063 man. 2012  
■ P/N 533064 auto 07-11  
■ P/N 533065 man. 06-11



Transmission (Gear) / Transfer skid plate

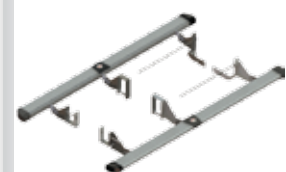
■ For Exhaust DPF ■ For Exhaust DPF, Double Cabin

**B<sub>3</sub>** ■ P/N 533070



Fuel tank skid plate

**C** ■ P/N 533057



Side protectors incl. side steps

**D<sub>1</sub>** ■ P/N 533042  
■ P/N 533045  
■ P/N 533040



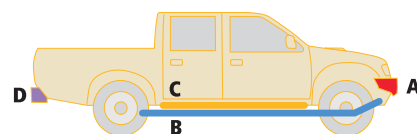
Rear towing device (for original bumper) 2011

■ 4x4 2011 ■ 4x4 06-10 ■ 2x4 06-11

**D<sub>2</sub>** ■ P/N 583029  
■ P/N 533090  
■ P/N 583025



■ HDA tow bumper (Shown in picture)  
■ HDN tow bumper  
■ HD tow bumper



**ASFIR**  
**4x4**

5.2012

QUALITY 4x4 ACCESSORIES

ASFIR LTD

Tel Adashim 19315, Israel

Telephone: +972-4-6511400

1-599-599-499\*

Fax: +972-4-6527742

E mail: info@asfir.com

www.asfir.com

\*(Israel only)



Distributed by :