



TJ Windshield Header Channel Installation Instructions
Wrangler 1997-2005

Part Number: 13308.04

Do Not Install on any vehicles other than those listed above.

Parts List: (2) 1 1/4" Hex Head Bolts (2) 5/16" Flat Washer
(2) J-Hook Bracket (1) Header Bar



WARNING: This product is designed to enhance the look of your vehicle. Do not rely on the components of this kit to protect or contain passengers or cargo within the vehicle, or to protect against injury or death during an accident.

WEAR SEAT BELTS AT ALL TIMES:

Read and follow instructions prior to installation. Failure to do so could put driver and passengers in potential danger. After installing or reinstalling, double check with installation instructions to make sure all steps were followed.



Tools required: (1) 1/2" Wrench or Socket.

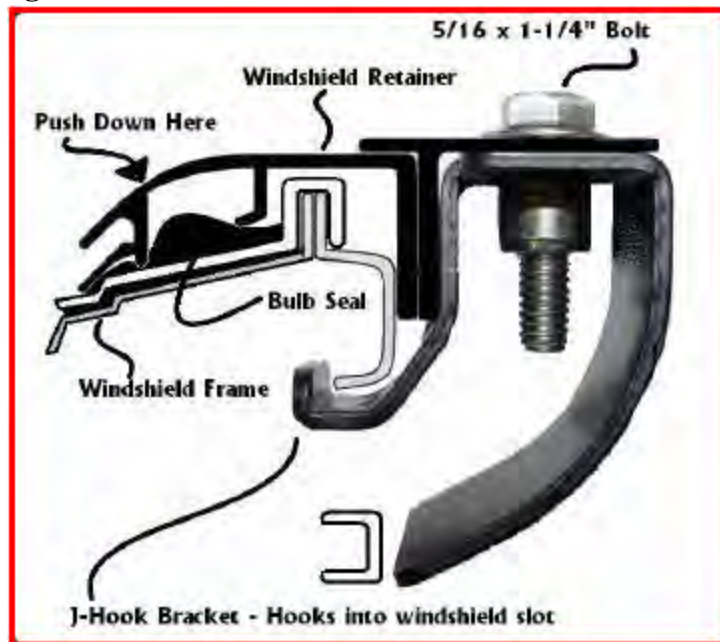
Step one:

Place the windshield retainer assembly on top of the bulb seal located along the top of the windshield. Locate the two J-hook brackets and orient them with the hooks towards the front of the channel and the threaded inserts facing upwards as seen in (Fig.1).

Step two:

Slide the J-hook bracket onto the windshield retainers J-hook mounting base making sure to catch the hook in the windshield slot. Insert a 5/16" x 1 1/4" Hex Head Bolt and 5/16" Flat Washer into the top into J-hook bracket. Secure the bracket to the retainer base using 1/2" wrench. Repeat this step for the other side (Fig.2).

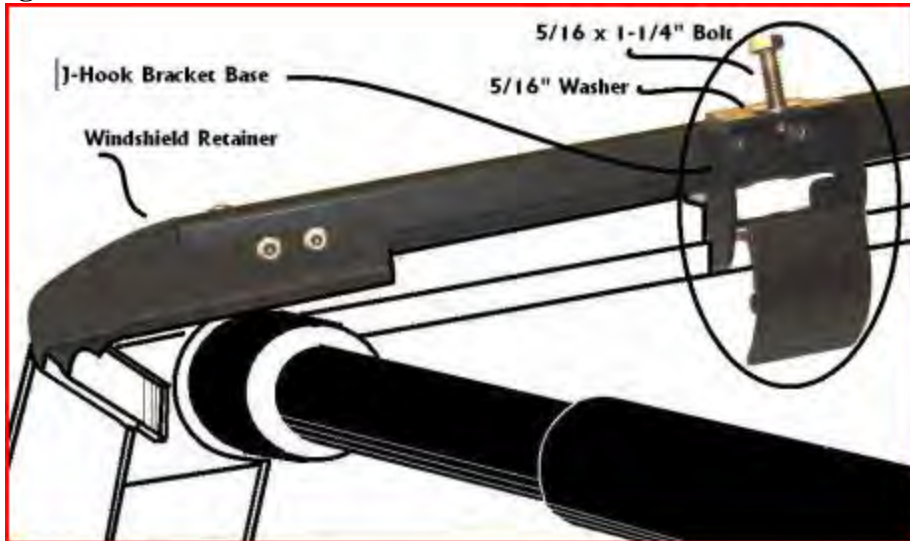
Fig.1



Caution!
Safety Glasses should be worn at all times while installing this product.



Fig.2



NOTE: While installing the windshield retainer J-hook bracket assembly, apply FIRM pressure towards the front of vehicle to make sure that the assembly is installed correctly.

90 Day Limited Warranty

Applies to Rugged Ridge by Omix-ada Inc. Products

Rugged Ridge Off Road (the Company) warrants to the original purchaser of this product that should the product or any part thereof, under normal use and conditions, be proven defective in material or workmanship within 90 DAYS from the date of original purchase, such defect(s) will be repaired or replaced or credited at the Company's sole option.

To obtain repair or replacement within the terms of this Warranty, the product is to be delivered with proof of warranty coverage (e.g. Dated bill of sale), specification of defect(s) to the place of purchase or, with prior approval from the Company (Return Authorization Number is required), freight pre-paid to the Company address listed below.

This warranty does not apply to any product or part thereof which, in the opinion of the Company, has suffered or been damaged through alteration, improper installation, mishandling, misuse, neglect, accident or by acts of nature. THE EXTENT OF THE COMPANY'S LIABILITY UNDER THIS WARRANTY IS LIMITED TO THE REPAIR OR REPLACEMENT PROVIDED ABOVE AND, IN NO EVENT, SHALL THE COMPANY'S LIABILITY EXCEED THE PURCHASE PRICE PAID BY PURCHASER FOR THE PRODUCT.

This Warranty is in lieu of all express warranties or liabilities. ANY IMPLIED WARRANTIES, INCLUDING ANY IMPLIED WARRANTY OF MERCHANTABILITY, SHALL BE LIMITED TO THE DURATION OF THIS WRITTEN WARRANTY. ANY ACTION FOR BREACH OF ANY WARRANTY HEREUNDER INCLUDING ANY IMPLIED WARRANTY OF MERCHANTABILITY MUST BE BROUGHT WITHIN THE PERIOD OF 90 DAYS FROM DATE OF ORIGINAL PURCHASE.

IN NO CASE SHALL THE COMPANY BE LIABLE FOR ANY CONSEQUENTIAL OR INCIDENTAL DAMAGES FOR BREACH OF THIS OR ANY OTHER WARRANTY, EXPRESS OR IMPLIED, WHATSOEVER. No person or representative is authorized to assume for the Company any liability other than expressed herein in connection with the sale of this product.

Some States do not allow limitations on how long an implied warranty lasts or the exclusion or limitation of incidental or consequential damage, so the above limitations may not apply to you. This warranty gives you specific legal rights and you may also have other rights, which vary from state to state.

Omix-ada Inc.
460 Horizon Dr. Suite 400
Suwanee, Georgia 30024